



## Book spine gluing with PUR adhesive

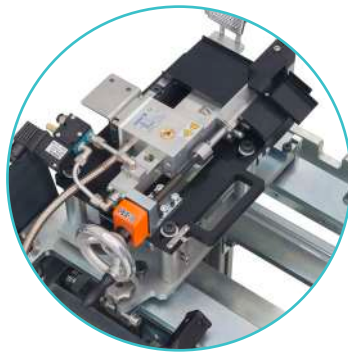
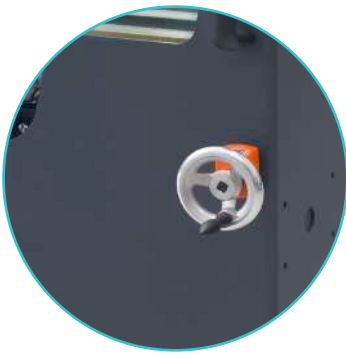
# GLUING SOLUTIONS

### Binding with PUR adhesives:

- Better adhesion than with traditional adhesives.
- Books lie flat when they are open.
- Greater flexibility of the book assembly.
- Full grip to prevent pages from being pulled out.
- Not affected by ink migration.
- No failure at extreme temperatures between -40°C and 100°C.
- Prevention of wrinkling on the spine, as it is applied at a lower temperature.
- More malleable, allowing the paper fibres to return to their original orientation.
- PUR adhesives are resistant to solvents and oils.

### Application advantages:

- Application thicknesses between 0.3 and 0.4 mm, half of that in traditional applications.
- Prevention of overflows dirtying up the cutting blades.
- Applied with an adjustable-width lamination applicator.
- Better cleaning and less maintenance than with roller systems.
- Perfect adhesive preservation, with the use of dry air or nitrogen (inert atmosphere).
- With milled books it avoids the costly stitching operation.

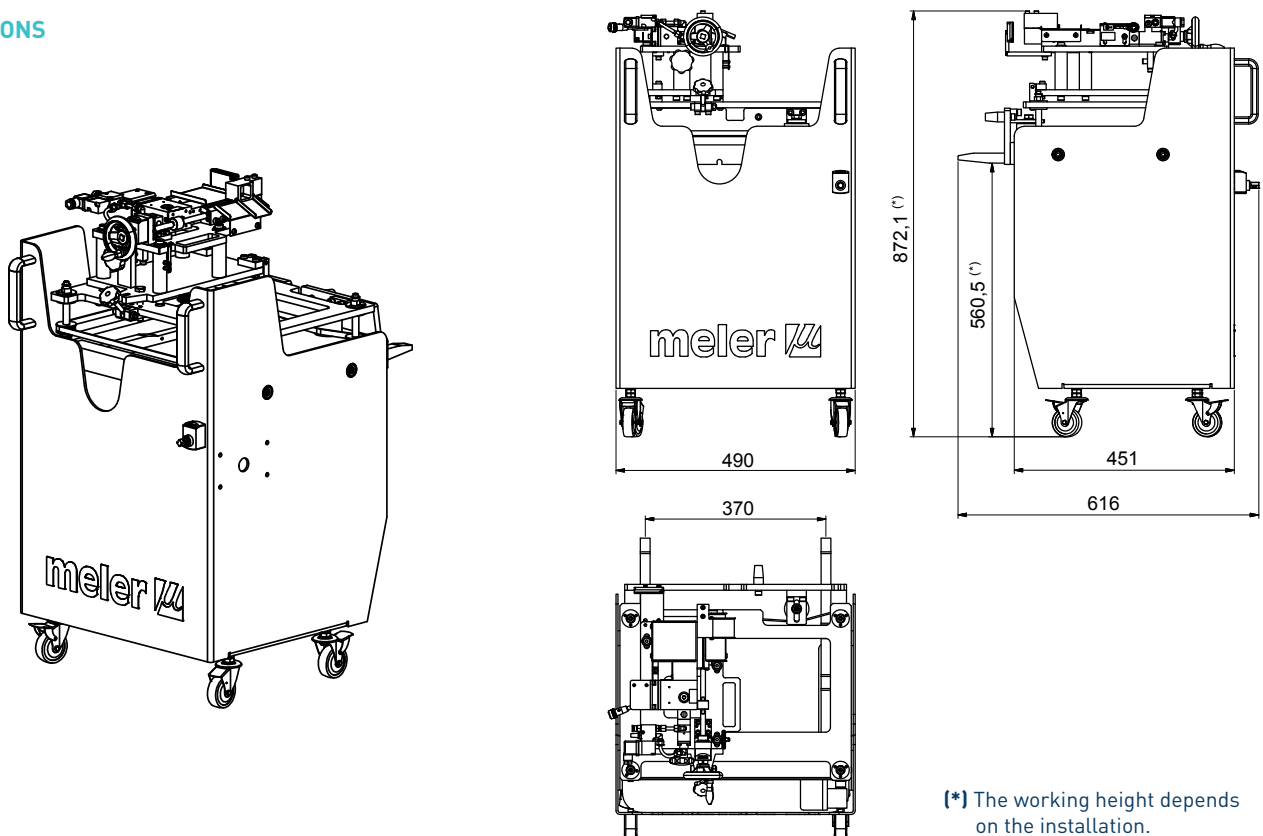


## TECHNICAL CHARACTERISTICS

- Adjustable width coating applicator (0-60 mm or 0-100 mm) with fast cut-off injector:
  - pneumatic control solenoid valve.
  - anti-drop tray.
- Pattern control to run the application according to the book length:
  - book detection photocell to start cycle.
  - encoder for programming the length in mm.
- Holding and adjusting support to set the applicator in position (\*)
- Trolley system for applicator-support assembly (\*)

(\*) This elements must be designed according to the machine characteristics (brand and model) where the system will be installed.

## DIMENSIONS



For more information speak with your Focke Meler representative:

**meler** 

**Focke Meler Gluing Solutions, S. A.**

Pol. Los Agustinos, c/G, nave D-43  
E-31160 Orkoien - Navarra - Spain  
Phone: +34 948 351 110  
Fax: +34 948 351 130  
info@meler.eu - [www.meler.eu](http://www.meler.eu)

A Focke Group Company

