

Empowering applicators  
Empowering what matters

**meler** 

# ADJUSTABLE EDGE BANDING APPLICATOR

**by meler**



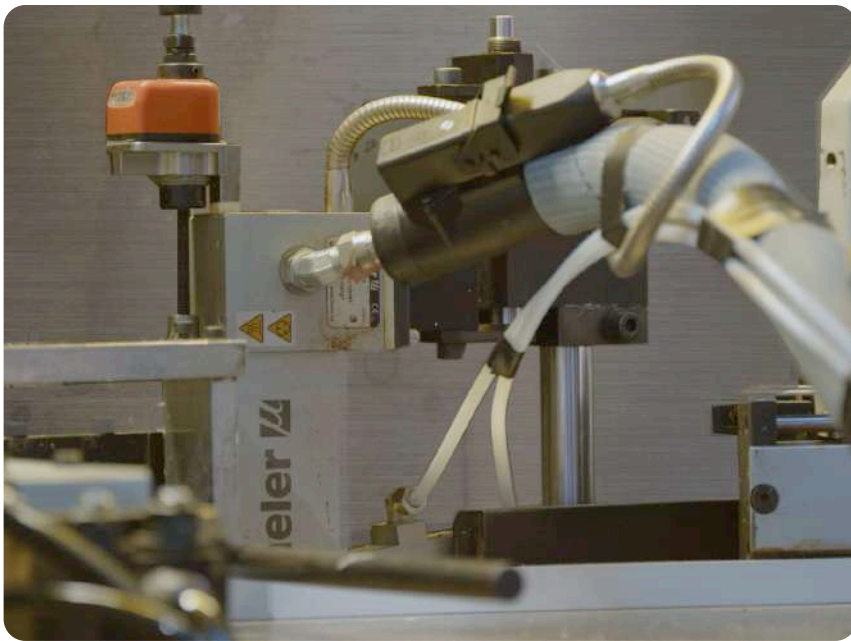
Your Gluing Solutions Partner

# ADJUSTABLE EDGE BANDING APPLICATOR by meler

## SO THAT EVERYTHING FLOWS

FOR PERFECT LAMINATION OF EDGES

The adjustable edge applicator is the perfect tool for wood edges. It is the most efficient solution on the market that reduces the number of line stoppages so that production is continuous.



### BENEFITS



REDUCES  
ADHESIVE COSTS



IMPROVES QUALITY  
OF THE PROCESS



REDUCES  
MAINTENANCE



PRECISE ADHESIVE  
APPLICATION



REDUCES MACHINE  
STOPPAGES

### ADVANTAGES

- Replaces the traditional open roller gluing system.
- The support soporte enables quick installation and adjustment on the board.
- Adjustable width application with rotary control.
- For EVA, PUR or polyolefin-based adhesives.

Specialised solutions for gluing and sealing in wood manufacturing.

## TO BOOST YOUR PRODUCTIVITY

### REDUCTION OF LINE STOPPAGES

The slot nozzle application system allows the number of line stoppages to be reduced compared with roller application.

### MINIMISING MAINTENANCE AND CLEANING

Overall improvement of maintenance and cleaning.

### INSTALLATION AND ADJUSTMENT

Adjustable system that facilitates quick adjustment of adhesive output width (up to 100 mm), making it possible for very short series of different board thicknesses to be produced easily and conveniently.

## TO BE MORE EFFICIENT

### REDUCTION OF ADHESIVE CONSUMPTION

Greater application precision, achieving a homogeneous and even coating over the entire surface of the edge.

### FINISH AND DURABILITY

The application with reactive adhesives and polyurethanes (PU/PUR) provides a better finish and protection against moisture.

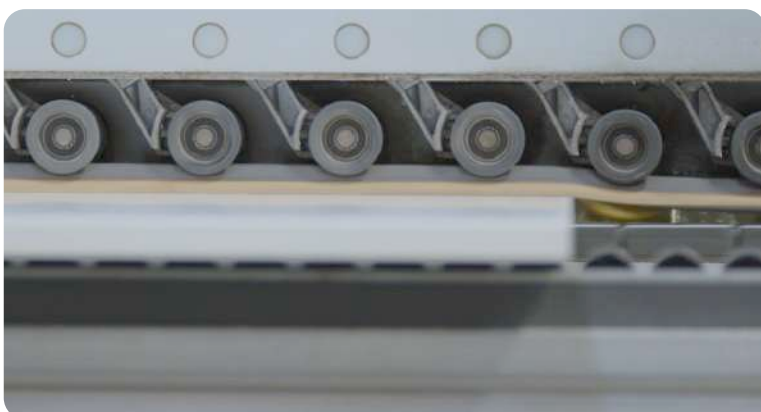
## PROCESS

---

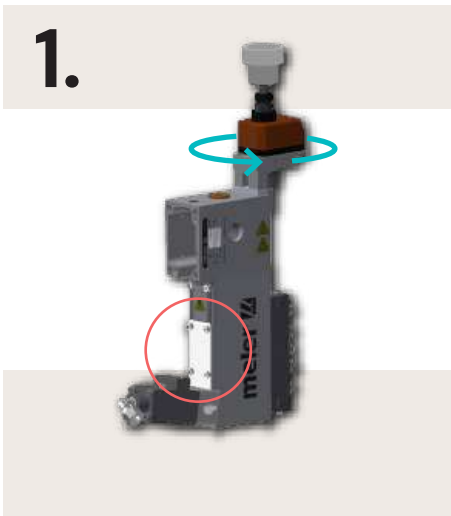
### EDGE BANDING LAMINATION

Edge lamination is a very common process in the production of components for furniture, more specifically for the manufacture of wooden boards. The edges create the final finish of the board and improve both its aesthetic appearance and durability against environmental conditions.

Therefore, the use of reactive adhesives is also very common in these applications. PUR adhesives are very important for improving the quality and durability of furniture.

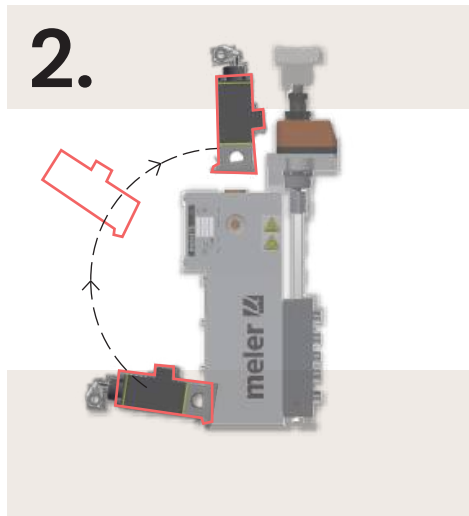


# ADAPT IT TO YOUR PRODUCTION LINE



## 1. ADJUSTMENT

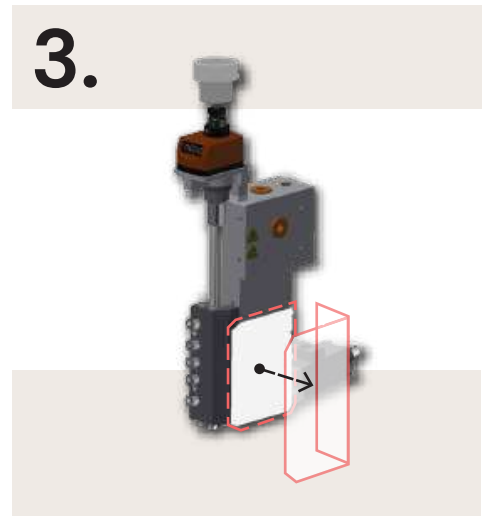
Accessible and precise adjustment of the lamination width.



## 2. FLEXIBILITY

The transversal location of the module improves the quality of application of the adhesive.

A model with the module in the upper section is also available.



## 3. REDUCTION OF MAINTENANCE COSTS

The head protection strip, which is in continuous contact with the board, can be changed easily by unscrewing a few screws.

## TECHNICAL SPECIFICATIONS

Maximum working temperature	200°C (392° F)
Maximum working pressure	90 bar (1305 psi)
Maximum application width	up to 60 or 100mm
Temperature sensor control	±0,5 °C (±1° F)
Type of temperature sensor	Pt-100 or Ni-120
Range of temperatures	230 VAC, 50/60 Hz
Heating power	350 W
Maximum pneumatic pressure	6 bar
Control voltage	24 VDC

### Lamination width adjustment

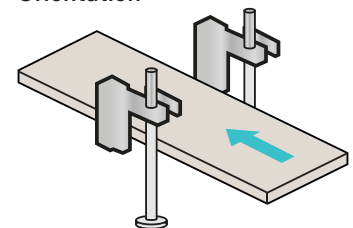
0 - 60 mm

0 - 100 mm

### Temperature sensors

Pt-100 / Ni-120

### Orientation



Designed to the left or right depending on the needs of the client

## FINAL PRODUCT

### TABLETOPS

