

# MELER TROLLEY

*MANUFACTURING EQUIPMENT  
TO SOLVE YOUR GLUING NEEDS*

## **HUMAN FACTOR**

User-Centered Design

## **PRODUCTIVITY**

Empowering users

## **SAFETY**

Proper ergonomic design

## **MOVABLE**

Ready to work everywhere



## COMPATIBLE WITH

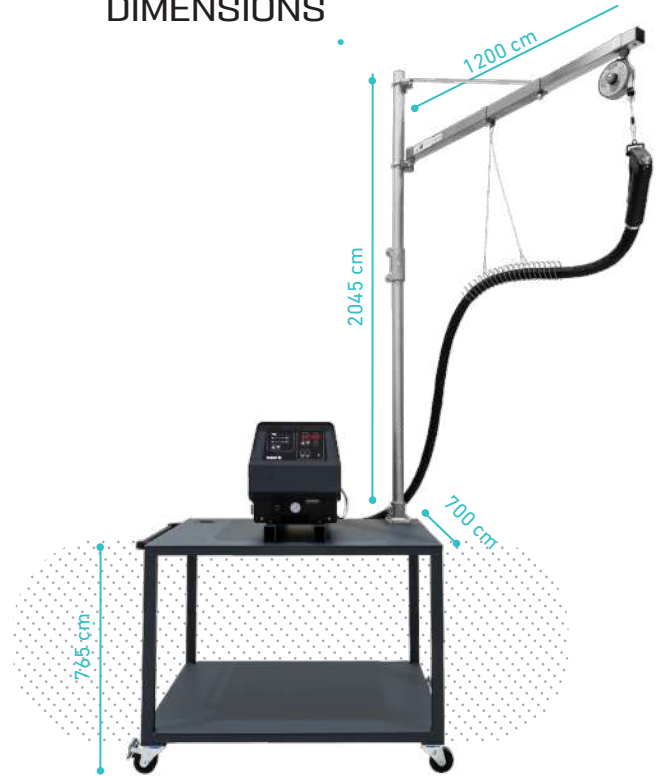


● Sistema B4

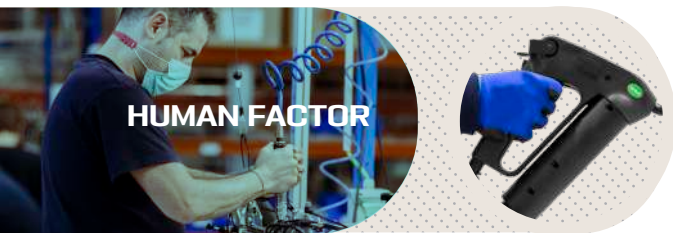


● Gama MICRON+

## DIMENSIONS



## COMPLETE APPLICATION SYSTEMS



**HUMAN FACTOR**



**PRODUCTIVITY**



**SAFETY**



**MOVABLE**

### User-Centered Design

Meler focus on the users to understand their needs during the hotmelt application process.

We offer complete solutions for industrial environments with quality and robustness criteria.

### Empowering users

To optimize the operator's performance, the hanger balances weight and provides better accuracy to the application.

Fewer and more efficient lifting operations.

It helps to avoid delays.

### Proper ergonomic design

The trolley fits the user to enhance comfort:

- The balancer rotates according to user's parameters: position, type of movement, height, etc
- Improves work posture for greater efficiency
- Prevents work-related disorders

### Ready to work everywhere

Greater flexibility thanks to a mobile workstation (maximizes production space)

The mast can be configured left or right depending on the position of the hose.

Gain productive space with storage in the lower rack.